



DX SERIES-CURRENT TRANSFORMERS

-Fixing system: to wall or to DIN rail by an accessory; directly to cable by screws(the accessory and the screws are supplied together with the C.T.

MEASURING TRANSFORMERS

-The double terminal entry allows short circuit links to be fitted when it is necessary to disconnect the measuring instrument from the transformer without damage to CT, or for easier termination to ground of the CT.

TRANSFORMERS ELECTROINC USE

-These transformers are used for measuring current from 25A to 800A, cl.3-cl.0.2s.The peculiar characteristic of these transformers is the high number of turns in the secondary cable. This makes it possible to have a very low secondary current, suitable for an electronic measuring circuit.

The secondary current can be seen as voltage across a resistor.

The resistor, of low power and cost, is directly fitted onto the printed circuit.

-Application

- Protect motors, UPS, and similar
- measuring instruments(current probe)

-Insulation voltage between primary and secondary elements 4KV, Frequency 50/60Hz.

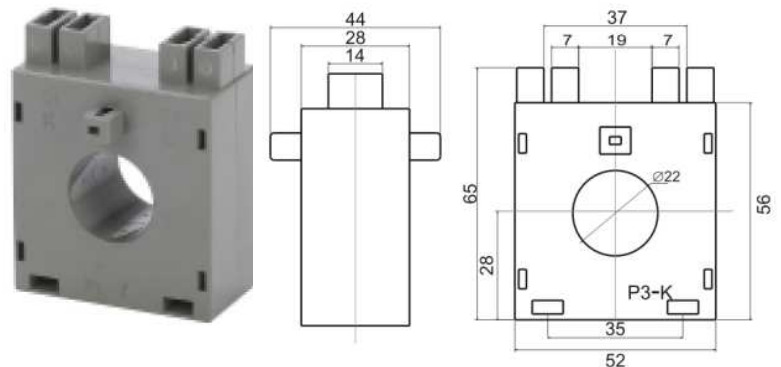
-Other characteristics on requirement.

DX20

Transformer suitable for primary current by cable with maximum diameter 21mm

DX20					
Ratio	Cl.1	Cl.0.5	Cl.0.5s	Cl.0.2	Cl.0.2s
50/5A	1.5VA	-	-	-	-
75/5A	1.5VA	-	-	-	-
100/5A	5VA	-	-	-	-
150/5A	5VA	2.5VA	-	-	-
200/5A	5VA	5VA	-	-	-
250/5A	5VA	5VA	2.5VA	2.5VA	-
300/5A	5VA	5VA	2.5VA	2.5VA	-

Any special requirements can be accepted



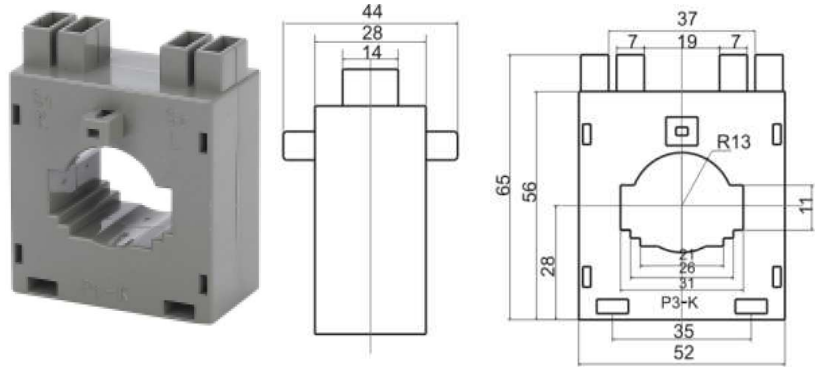


CURRENT TRANSFORMER LOW VOLTAGE

DX30

Transformer suitable for primary current by cable with maximum diameter 23mm or by horizontal bar 20X15, 25X15, 30X10mm

DX30					
Ratio	Cl.1	Cl.0.5	Cl.0.5s	Cl.0.2	Cl.0.2s
30/5A	0.5VA	-	-	-	-
40/5A	1VA	-	-	-	-
50/5A	1VA	-	-	-	-
75/5A	1.5VA	-	-	-	-
100/5A	1.5VA	-	-	-	-
150/5A	2.5VA	-	-	-	-
200/5A	5VA	1.5VA	-	-	-
250/5A	5VA	2.5VA	-	-	-
300/5A	5VA	2.5VA	-	-	-
400/5A	5VA	5VA	-	-	-

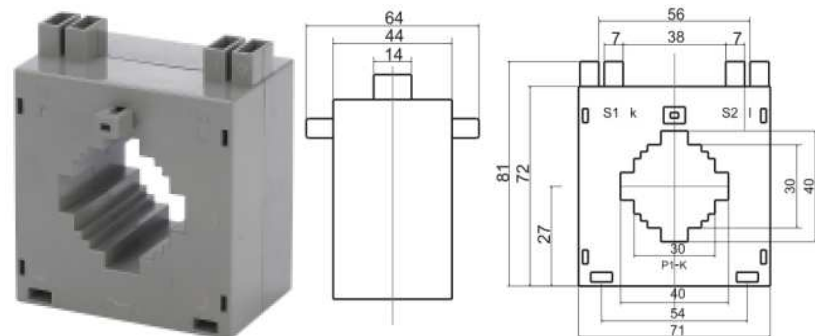


Any special requirements can be accepted

DX40

Transformer suitable for primary current by cable with maximum diameter 30mm or by horizontal bar 25X25, 30X20, 40X10mm

DX40					
Ratio	Cl.1	Cl.0.5	Cl.0.5s	Cl.0.2	Cl.0.2s
30/5A	0.5VA	-	-	-	-
40/5A	1VA	-	-	-	-
50/5A	1VA	-	-	-	-
75/5A	1.5VA	-	-	-	-
100/5A	1.5VA	-	-	-	-
150/5A	2.5VA	-	-	-	-
200/5A	5VA	1.5VA	-	-	-
250/5A	5VA	2.5VA	-	-	-
300/5A	5VA	2.5VA	-	-	-
400/5A	5VA	5VA	-	-	-



Any special requirements can be accepted

