



## MSQ -CURRENT TRANSFORMERS

- Fixing system: to wall ,to cable/passing bar or to DIN rail by accessories supplied with the CT.
- Sealable terminals cover included
- Different characteristics on request.

## MEASURING TRANSFORMERS

-A range of (12 frames) compact design plastic case current transformer. It's volume is much smaller than general model, integral hinged plate terminal cover, DIN rail mounting all makes this series CT match the requirements in space limited panels.

## TRANSFORMERS ELECTROINC USE

-These transformers are used for measuring current from 5A to 6000A,second current 5A/1A, cl.1-cl.0.2s. Busbar dimensions from 0mm to 30X100mm.

### ·FEATURE

Three built in fixing methods: Side base; DIN Rail; Busbar mounting ,Built in hinged terminal cover

Compact design

Primary current from 5A to 6000A.

### ·SPECIFICAIONS

Rated Frequency	50/60Hz
Rated test voltage	3kV AC. (1 min)
Rated short-time thermal current(Ith)	60In
Rated dynamic current, (Idyn)	2.5Ith
Rated voltage,(Um)	0.72Kv AC.
Continuous overload,(Id)	1.2In
Operating temperature	-10℃~50℃
Housing self-extinguishing class	VO
Safety factor	FS 5
Secondary current	5A/1A





# CURRENT TRANSFORMER LOW VOLTAGE

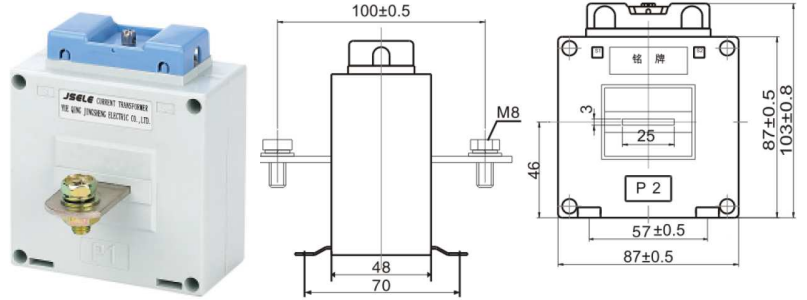
---Produced by Subcompany QIANWEI Current Transformer

## MSQ-A

Transformer with wounded primary; primary currents on central incorporated bar 25x3mm;  
secondary current on terminals

MSQ-A					
Ratio	Cl.1	Cl.0.5	Cl.0.5s	Cl.0.2	Cl.0.2s
5/5A	5VA	5VA	5VA	5VA	5VA
10/5A	5VA	5VA	5VA	5VA	5VA
20/5A	5VA	5VA	5VA	5VA	5VA
30/5A	5VA	5VA	5VA	5VA	5VA
50/5A	5VA	5VA	5VA	5VA	5VA
75/5A	5VA	5VA	5VA	5VA	5VA
100/5A	5VA	5VA	5VA	5VA	5VA
150/5A	5VA	5VA	5VA	5VA	5VA
200/5A	5VA	5VA	5VA	5VA	5VA

Any special requirements can be accepted

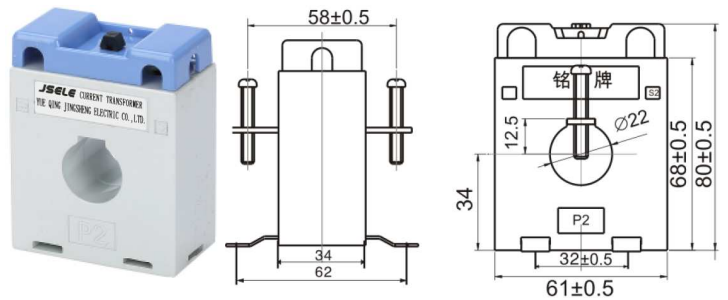


## MSQ-20

Transformer suitable for primary current by cable/busbar with maximum diameter 20mm

MSQ-20					
Ratio	Cl.1	Cl.0.5	Cl.0.5s	Cl.0.2	Cl.0.2s
75/5A	2.5VA	-	-	-	-
100/5A	5VA	2.5VA	-	-	-
150/5A	5VA	5VA	-	-	-
200/5A	5VA	5VA	-	-	-
250/5A	5VA	5VA	-	-	-
300/5A	5VA	5VA	-	-	-

Any special requirements can be accepted





Everfar Electrical Group  
温州艾瑞法电气

# CURRENT TRANSFORMER LOW VOLTAGE

---Produced by Subcompany QIANWEI Current Transformer

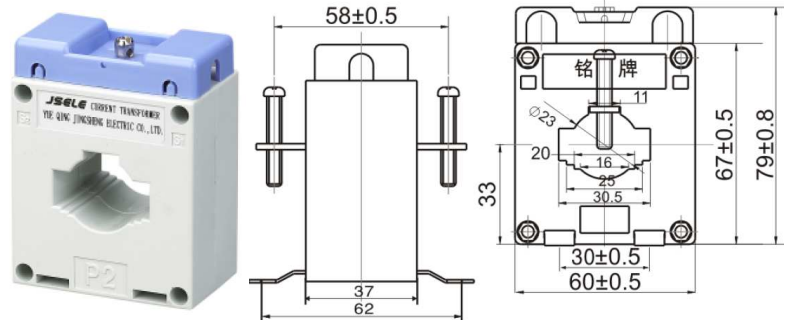
## MSQ-30M(small)

Transformer suitable for primary current cable with maximum diameter 23mm, busbar maximum 30x20mm

MSQ-30M(small)

Ratio	Cl.1	Cl.0.5	Cl.0.5s	Cl.0.2	Cl.0.2s
30/5A	5VA	2.5VA	-	-	-
40/5A	5VA	2.5VA	-	-	-
75/5A	5VA	2.5VA	-	-	-
100/5A	2.5VA	2.5VA	-	-	-
150/5A	5VA	2.5VA	-	-	-
200/5A	5VA	5VA	-	-	-
250/5A	5VA	5VA	-	-	-
300/5A	5VA	5VA	2.5VA	2.5VA	-
400/5A	5VA	5VA	2.5VA	2.5VA	-

Any special requirements can be accepted



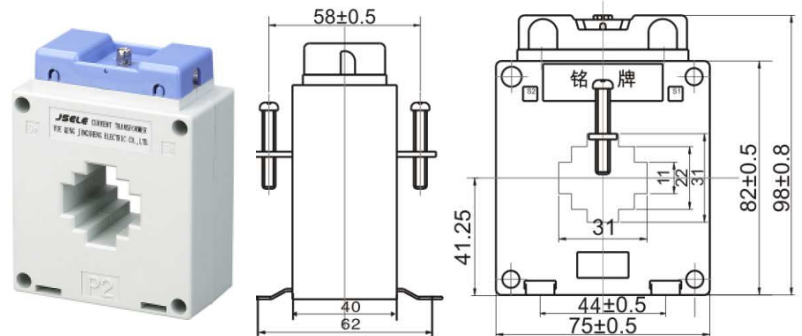
## MSQ-30(big)

Transformer suitable for primary current by cable with maximum diameter 20mm, busbar maximum 30x10mm

MSQ-30(big)

Ratio	Cl.1	Cl.0.5	Cl.0.5s	Cl.0.2	Cl.0.2s
75/5A	2.5VA	-	-	-	-
100/5A	5VA	5VA	2.5VA	2.5VA	2.5VA
150/5A	5VA	5VA	5VA	5VA	5VA
200/5A	5VA	5VA	5VA	5VA	5VA
300/5A	5VA	5VA	5VA	5VA	5VA
400/5A	5VA	5VA	5VA	5VA	5VA

Any special requirements can be accepted

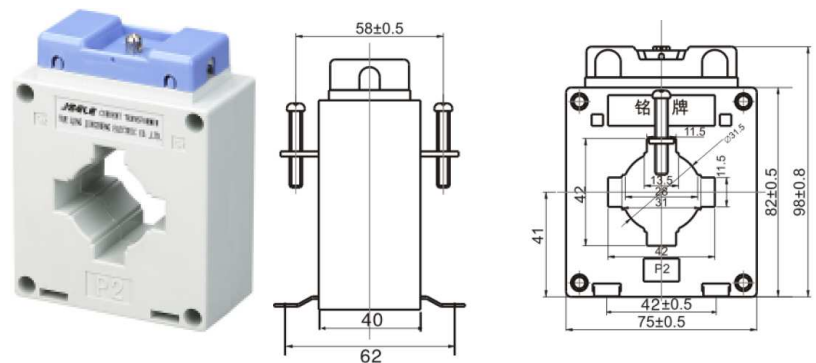


## MSQ-40

Transformer suitable for primary current by cable with maximum diameter 30mm, busbar maximum 40x10mm

MSQ-40

Ratio	Cl.1	Cl.0.5	Cl.0.5s	Cl.0.2	Cl.0.2s
150/5A	2.5VA	2.5VA	2.5VA	2.5VA	-
200/5A	5VA	5VA	5VA	5VA	5VA
250/5A	5VA	5VA	5VA	5VA	5VA
300/5A	5VA	5VA	5VA	5VA	5VA
400/5A	5VA	5VA	5VA	5VA	5VA
500/5A	5VA	5VA	5VA	5VA	5VA
600/5A	10VA	5VA	5VA	5VA	5VA
800/5A	10VA	10VA	5VA	5VA	5VA



Tel: +86-577-62708775 Fax: +86-577-62708776 Post Code: 325604

QIANWEI: [sales@qianweict.com](mailto:sales@qianweict.com) [www.qianweict.com](http://www.qianweict.com)

EVERFAR: [sales@everfarelec.com](mailto:sales@everfarelec.com) [www.everfarelec.com](http://www.everfarelec.com)





Everfar Electrical Group  
温州 艾瑞法 电气

# CURRENT TRANSFORMER LOW VOLTAGE

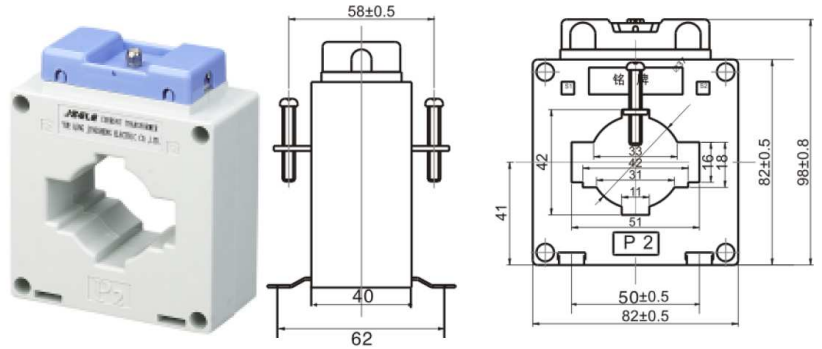
---Produced by Subcompany QIANWEI Current Transformer

Any special requirements can be accepted

## MSQ-50

Transformer suitable for primary current by cable with maximum diameter 37mm, busbar maximum 50x16mm

MSQ-50					
Ratio	Cl.1	Cl.0.5	Cl.0.5s	Cl.0.2	Cl.0.2s
200/5A	5VA	5VA	2.5VA	2.5VA	2.5VA
250/5A	5VA	5VA	5VA	5VA	5VA
300/5A	5VA	5VA	5VA	5VA	5VA
400/5A	5VA	5VA	5VA	5VA	5VA
500/5A	5VA	5VA	5VA	5VA	5VA
600/5A	10VA	5VA	5VA	5VA	5VA
750/5A	10VA	10VA	10VA	10VA	10VA
800/5A	10VA	10VA	10VA	10VA	10VA

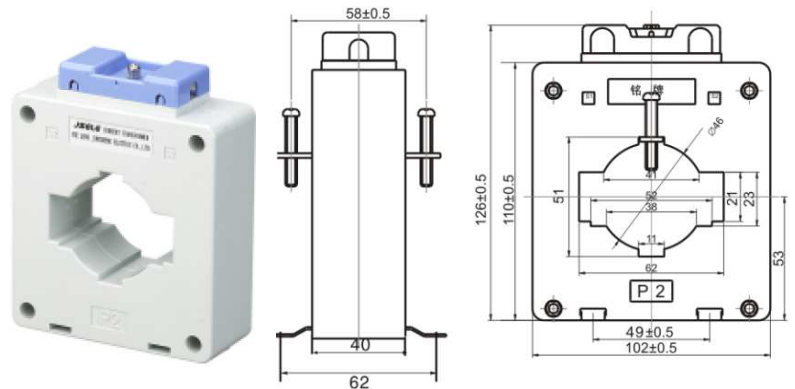


Any special requirements can be accepted

## MSQ-60

Transformer suitable for primary current by cable with maximum diameter 46mm, busbar maximum 60x20mm

MSQ-60					
Ratio	Cl.1	Cl.0.5	Cl.0.5s	Cl.0.2	Cl.0.2s
200/5A	5VA	5VA	5VA	2.5VA	2.5VA
300/5A	5VA	5VA	5VA	5VA	5VA
400/5A	5VA	5VA	5VA	5VA	5VA
500/5A	5VA	5VA	5VA	5VA	5VA
600/5A	10VA	5VA	5VA	5VA	5VA
800/5A	10VA	5VA	5VA	5VA	5VA

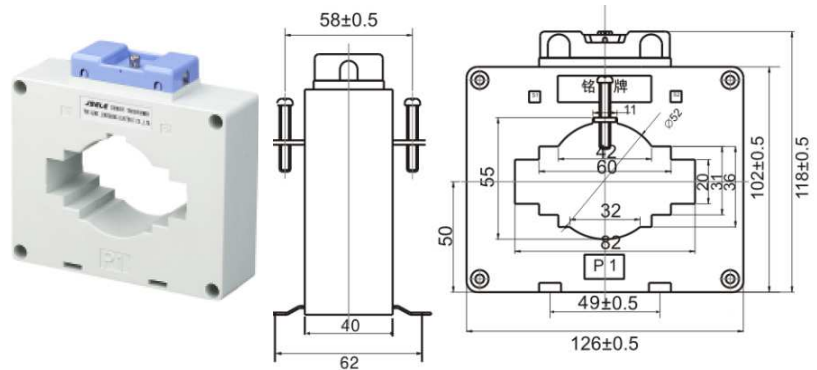


Any special requirements can be accepted

## MSQ-80

Transformer suitable for primary current by cable with maximum diameter 60mm, busbar maximum 100x10mm

MSQ-80					
Ratio	Cl.1	Cl.0.5	Cl.0.5s	Cl.0.2	Cl.0.2s
600/5A	10VA	5VA	5VA	5VA	5VA
750/5A	10VA	10VA	10VA	10VA	10VA
800/5A	10VA	10VA	10VA	10VA	10VA
1000/5A	10VA	10VA	10VA	10VA	10VA
1200/5A	10VA	10VA	10VA	10VA	10VA
1500/5A	10VA	10VA	10VA	10VA	10VA
2500/5A	10VA	10VA	10VA	10VA	10VA



Any special requirements can be accepted





Everfar Electrical Group  
温州艾瑞法电气

# CURRENT TRANSFORMER LOW VOLTAGE

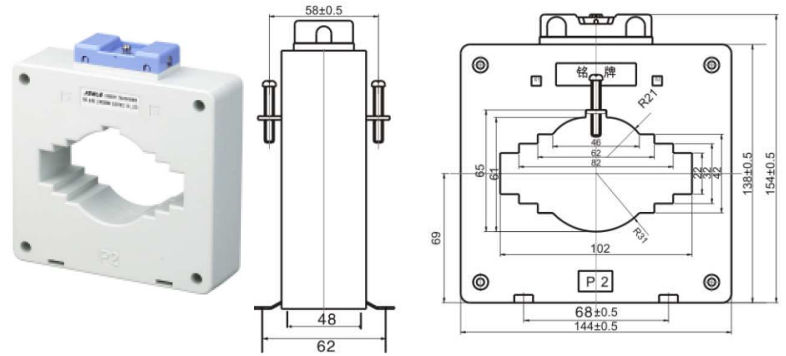
---Produced by Subcompany QIANWEI Current Transformer

## MSQ-100

Transformer suitable for primary current by cable with maximum diameter 60mm, busbar maximum 100x10mm

MSQ-100					
Ratio	Cl.1	Cl.0.5	Cl.0.5s	Cl.0.2	Cl.0.2s
600/5A	5VA	5VA	5VA	5VA	5VA
750/5A	10VA	10VA	10VA	10VA	10VA
800/5A	10VA	10VA	10VA	10VA	10VA
1000/5A	15VA	10VA	10VA	10VA	10VA
1500/5A	20VA	15VA	10VA	10VA	10VA
2000/5A	30VA	20VA	20VA	20VA	20VA
2500/5A	30VA	20VA	20VA	20VA	20VA

Any special requirements can be accepted

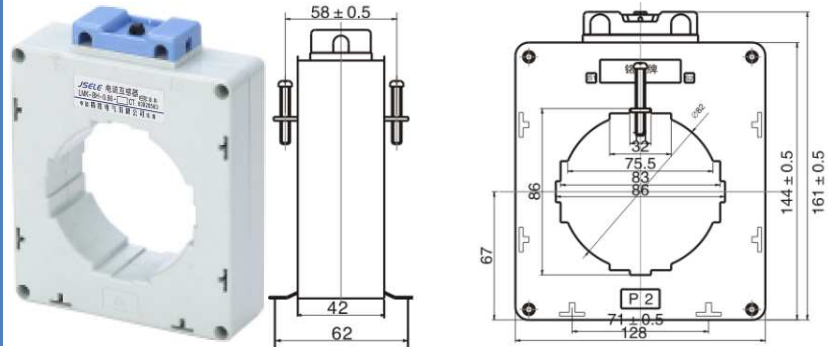


## MSQ-85

Transformer suitable for primary current by cable with maximum diameter 80mm, busbar maximum 80x30mm

MSQ-85					
Ratio	Cl.1	Cl.0.5	Cl.0.5s	Cl.0.2	Cl.0.2s
600/5A	10VA	5VA	5VA	5VA	5VA
800/5A	10VA	10VA	10VA	10VA	10VA
1000/5A	10VA	10VA	10VA	10VA	10VA
1200/5A	10VA	10VA	10VA	10VA	10VA
1500/5A	20VA	10VA	10VA	10VA	10VA
2000/5A	30VA	15VA	15VA	15VA	15VA

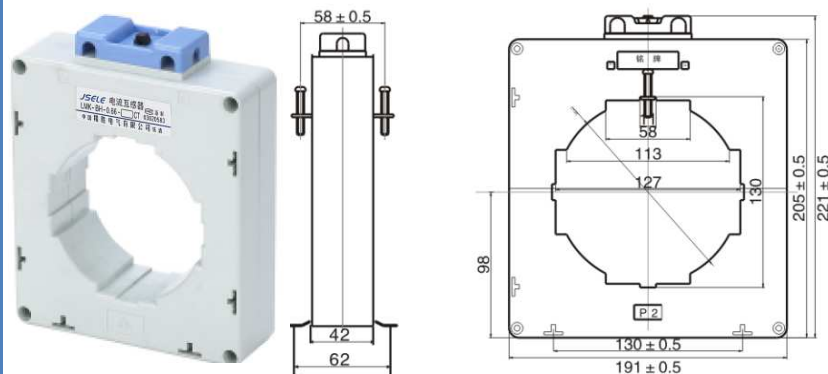
Any special requirements can be accepted



## MSQ-125

Transformer suitable for primary current by cable with maximum diameter 120mm, busbar maximum 125x60mm

MSQ-125					
Ratio	Cl.1	Cl.0.5	Cl.0.5s	Cl.0.2	Cl.0.2s
1200/5A	10VA	10VA	10VA	10VA	10VA
1500/5A	15VA	10VA	10VA	10VA	10VA
2000/5A	15VA	10VA	10VA	10VA	10VA
2500/5A	20VA	15VA	15VA	15VA	15VA
3000/5A	30VA	20VA	20VA	20VA	20VA
4000/5A	30VA	20VA	20VA	20VA	20VA
5000/5A	30VA	20VA	20VA	20VA	20VA



Tel: +86-577-62708775 Fax: +86-577-62708776 Post Code: 325604

QIANWEI: [sales@qianweict.com](mailto:sales@qianweict.com) [www.qianweict.com](http://www.qianweict.com)

EVERFAR: [sales@everfarelec.com](mailto:sales@everfarelec.com) [www.everfarelec.com](http://www.everfarelec.com)

